

# Data Sheet

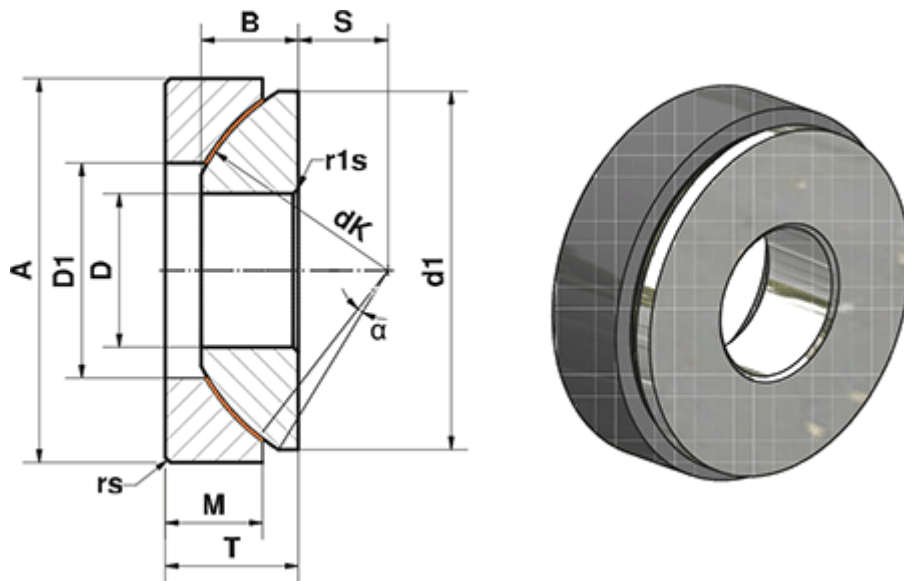


Article number: 03450070

Description: Fluro Heavy Duty Spherical Plain Bearing GE 70 AWE  
Hole  $\varnothing 70$

Note: 70

## Measures



A	= 160	M	= 36.5
a (degrees)	= 3	rs, r1s min	= 1
B	= 42	S	= 35
D	= 70	Static load C0 (kN)	= 4887
D1	= 95.5	T	= 50
d1 min	= 153	Weight (g)	= 5370
dK	= 176		
Dynamic load C (kN)	= 2932		